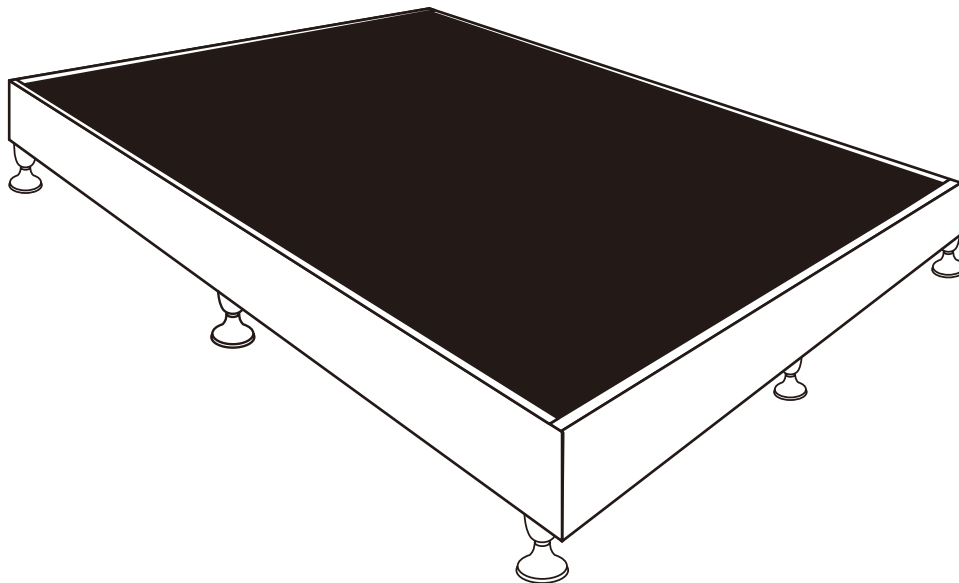




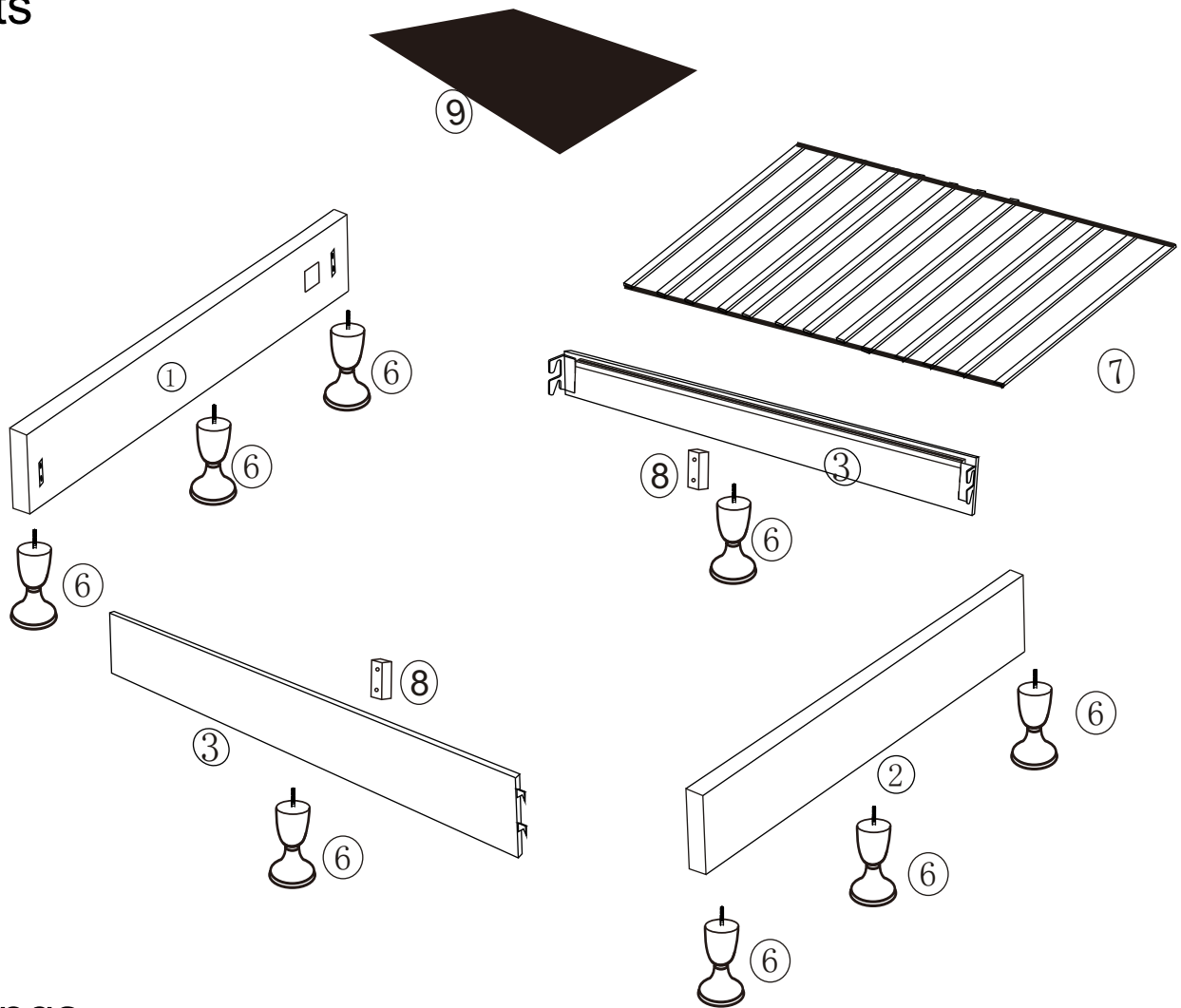
**ASSEMBLY DIAGRAM**  
**ZICO BED**  
**BF-B-ZICO-S**

**IMPORTANT NOTE:**

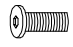




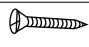


- \* PLACE ALL PARTS ON A CLEAN AND SMOOTH SURFACE SUCH AS A RUG OR CARPET TO AVOID THE PARTS FROM BEING SCRATCHED.
- \* KINDLY FOLLOW THE ASSEMBLY INSTRUCTIONS STEP BY STEP.
- \* DO NOT TIGHTEN ALL SCREWS UNTIL THE BED IS FULLY SET-UP.



# Parts

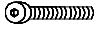





# Fittings

<b>(A)</b>  Bolts(M8x30mm) 8 Pcs	<b>(B)</b>  Spring Washer 8pcs	<b>(C)</b>  M8 Flat Washer 8pcs	<b>(F)</b>  Bolts(M6x35mm) 4pcs	<b>(J)</b>  M6 Allen Key 1pc
<b>(G)</b>  Screw(4.0x35mm) 6pcs	<b>(D)</b>  M4 Allen Key 1pc			
<b>(K)</b>  M6 Flat Washer 4pcs				

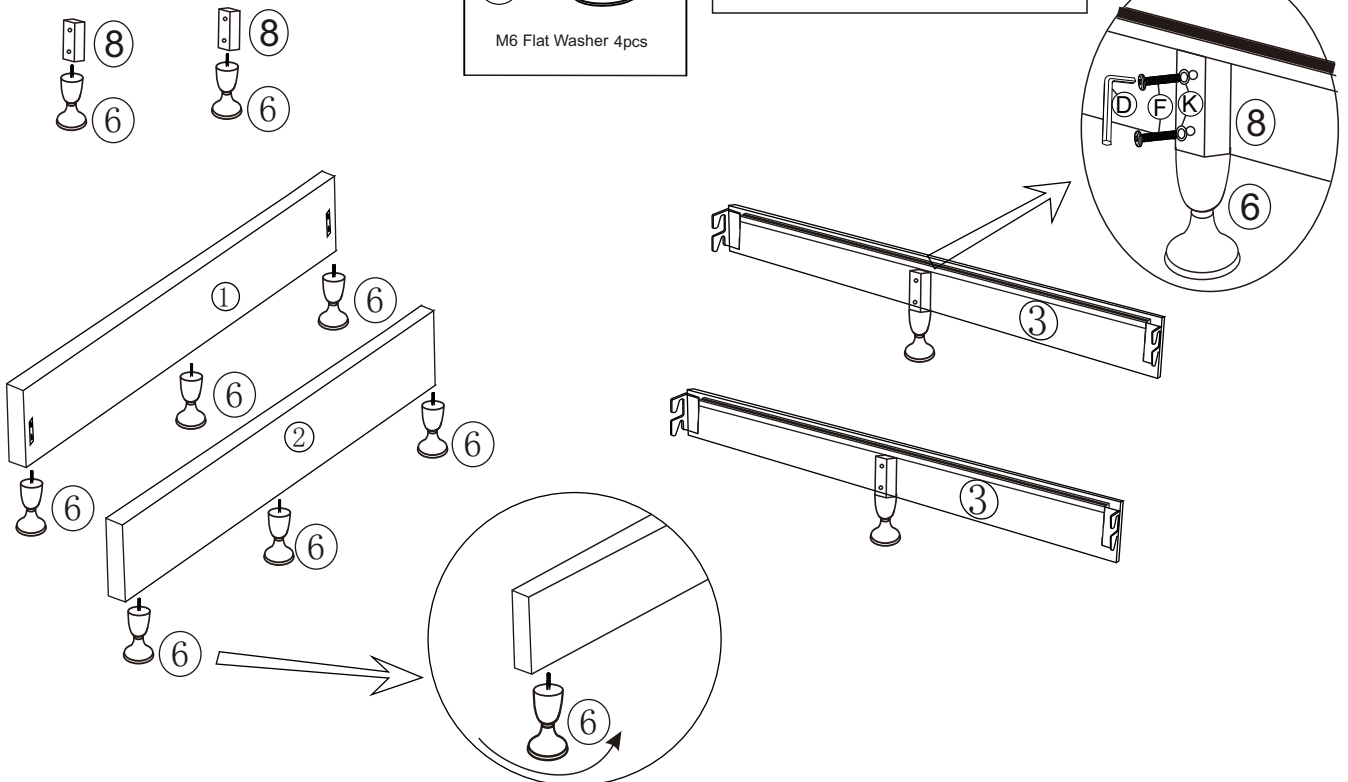
Please refer to the instructions before installing it.

# Step 1

<b>F</b>  Bolts(M6x 35mm) 4pcs	<b>D</b>  M4 Allen Key 1pc
	<b>K</b>  M6 Flat Washer 4pcs







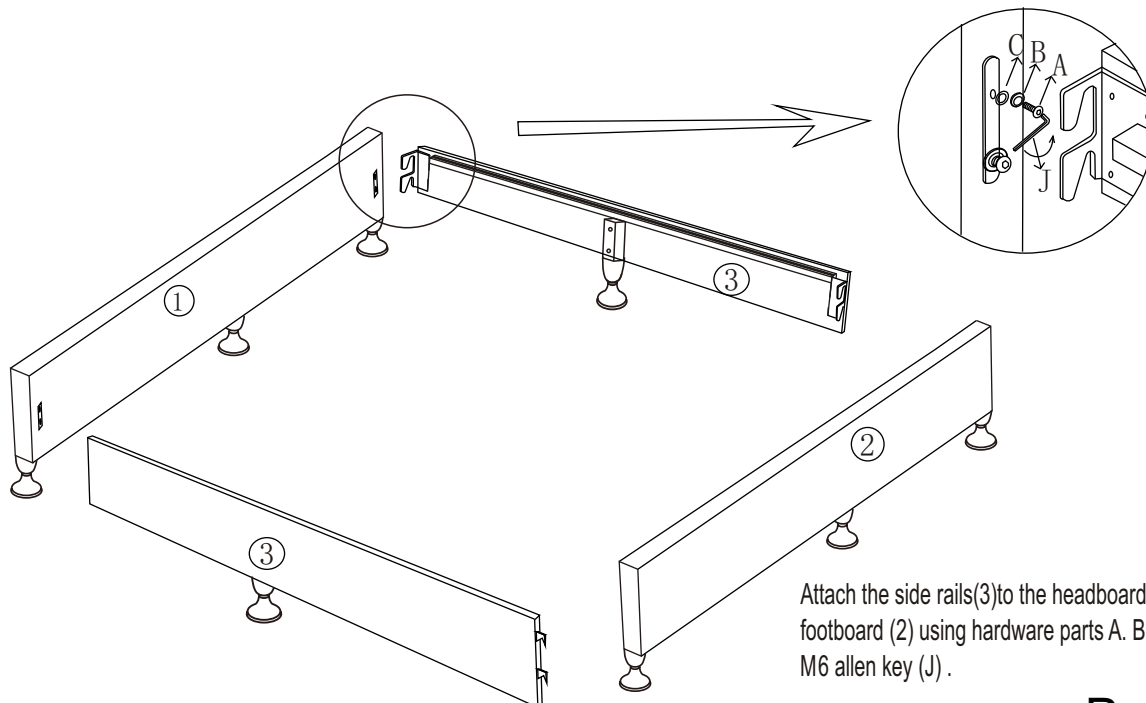
remove the cap



First, fix the legs (6) to the headboard (1), foot board (2) and wood block (8), and then secure the wood block (8) to the siderails (3) with hardware (F,K) using M4 Allen keys (D).

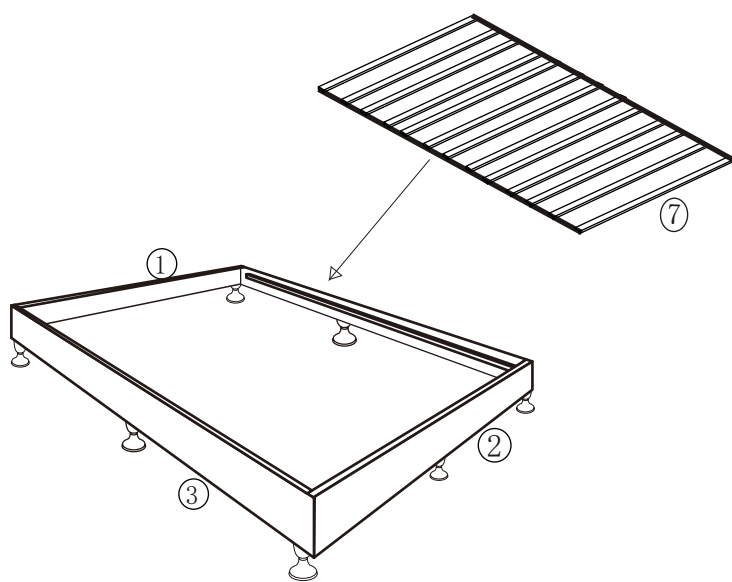
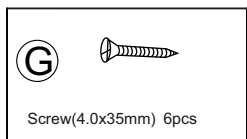
# Step 2

<b>A</b>  Bolts(M8x30mm) 8 pcs	<b>B</b>  Spring Washer 8pcs	<b>C</b>  M8 Flat Washer 8pcs	<b>J</b>  M6 Allen Key 1pc
--	--	---	--

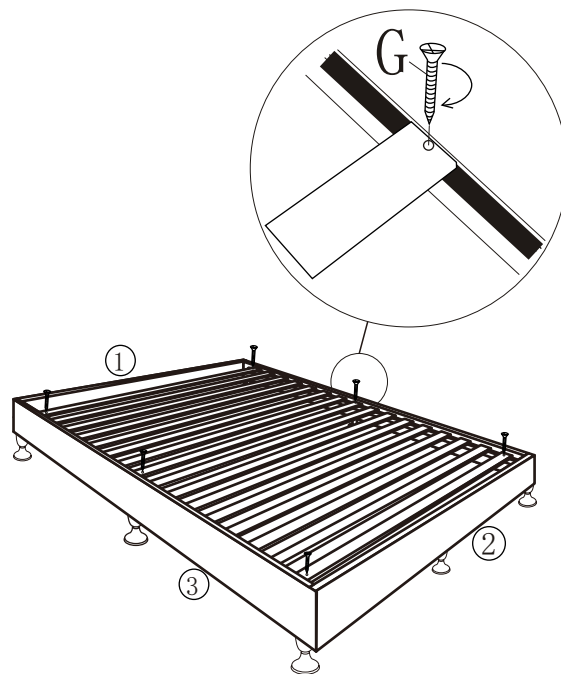


Attach the side rails(3)to the headboard (1) and footboard (2) using hardware parts A. B. C and M6 allen key (J).

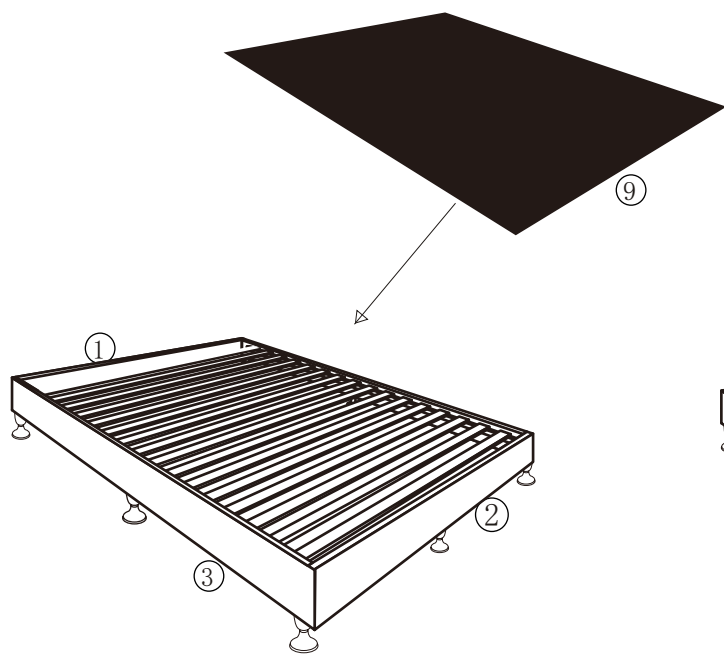
# Step 3



Attach the slat(7) to the bed.



Attach the slat (7) to the side rail (3) with screw (G) as shown.



Attach the Top cloth (9) to the bed.

